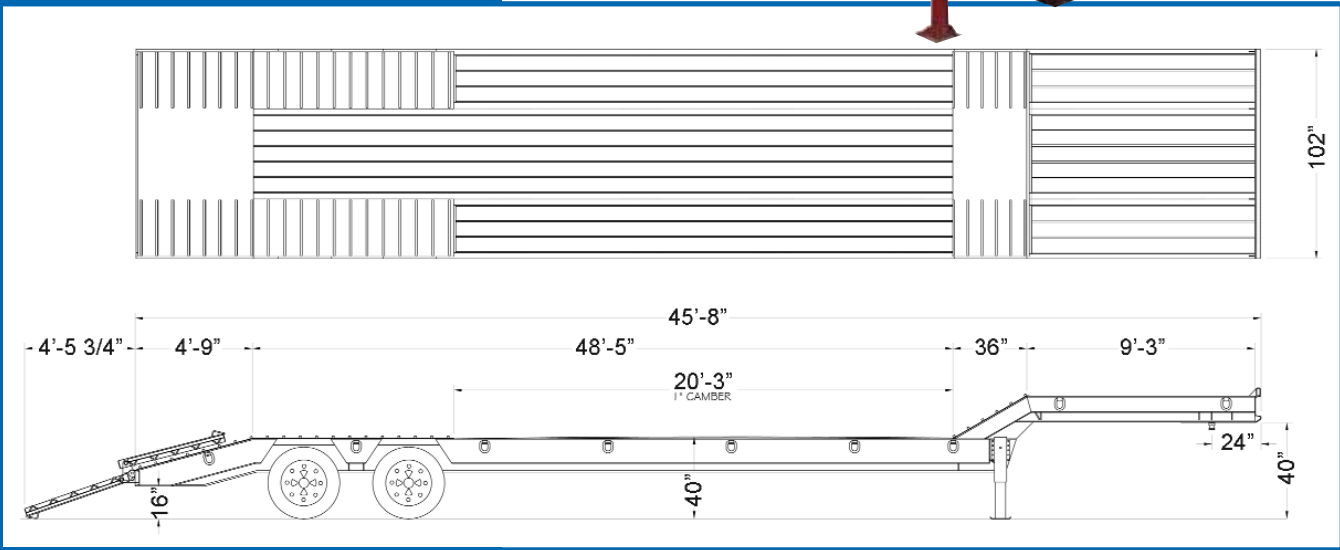


SPECIFICATIONS

35 Ton Beaver Tail Lowboy Trailer



- Dimensions: Length: - 46 Ft X Width -8'-6"
- Main Deck: 41" Deck Height 28'-6" Deck Length
- Mainframe: 16" Fabricated I-Beam W/ 1" Camber
- Side Rails: Deck: 12 X 20.7# Structural Channel
Neck: 6 x 8.2 # Structural Channel
- Crossmembers: 8 X 6.5# Jr. I-Beams On 20" Centers
- Suspension: Hutch 9700 3 Point W/ 3 Leaf Heavy Duty Springs
- Tires: 255/70R X 22.5 Radials
- Wheels: 10 Hole Steel Disc, Hub Piloted
- Lights: Rubber Mounted, Sealed Wiring Harness
- Dove Tail: Diamond Plate Cover W/Traction Bars
- Loading Ramps: (2) 4'-6" Spring Assisted Folding
- Landing Gear: 2-Speed W/ Sand Shoes
- Floor: 2" Nominal Oak
- D-Ring: 16 Total (14 On Main Deck., 4 On Neck.)
- Finish: Steel Grit Blasted & Painted With Quality Urethane Paint



DRAGON

PRODUCTS, LTD.

1-877-235-8194

www.brucknertruck.com