



Hood Spring Replacement

GU7 GU8

SB622037, Hood Spring Replacement

The right hand hood spring used on Mack GU7 and GU8 models may experience an interference with the radiator surge tank, which over time can abrade the surge tank. A new springs and right installation have been released, which will address complaints of surge tank interference and/or excessive hood tilt effort.

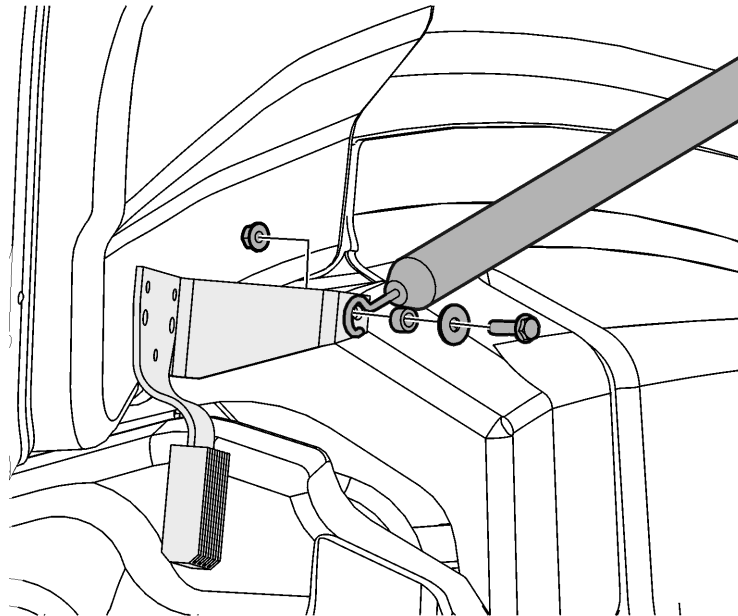
Required Parts

Qty	Part Number	Description
2	82292583	Spring
1	467433	Space Sleeve 9X14X60
1	965183	Flange Screw M8X90
1	983963	Spacer Sleeve 15X20X52

Procedure

1. Release and open the hood.
2. Disconnect and remove the left hand hood spring from the pivot bracket at the radiator support.

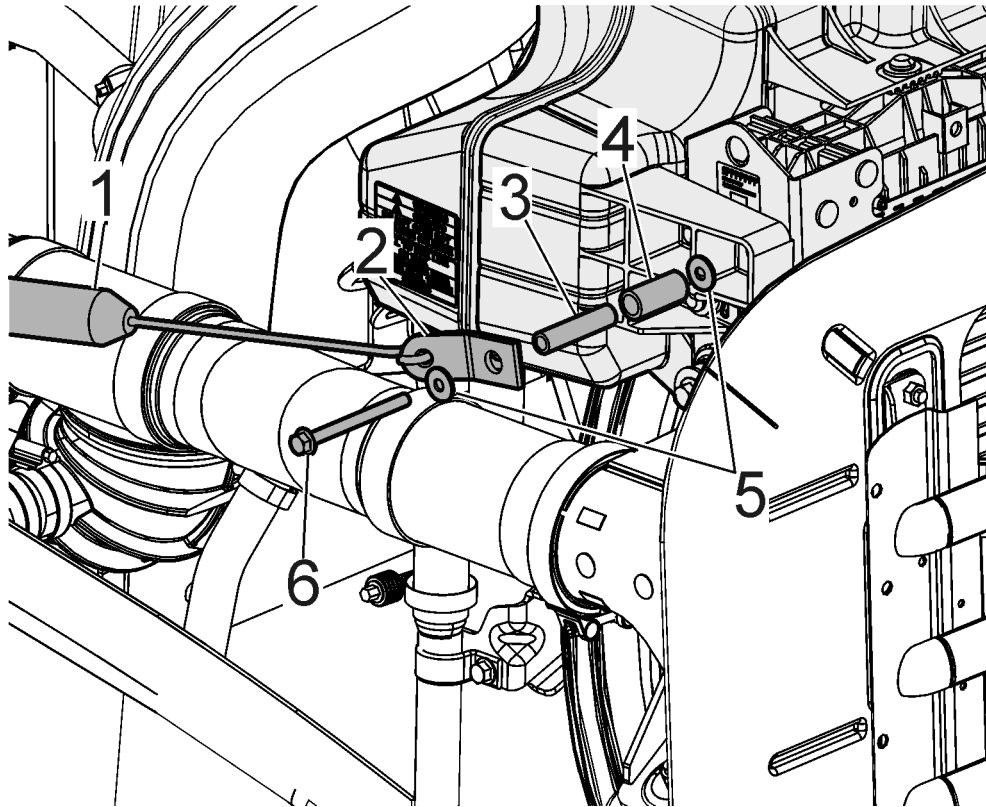
3. Remove and replace the left hand hood assist spring using the existing hardware and the new spring PN 82292583. Connect the new spring to support bracket at the radiator support.



4. Disconnect and remove the right hand hood spring from the support bracket at the radiator support.
5. Remove the mounting bolt, support bracket and spacer from the right hand radiator support.

6. Install the existing washer, new spacers, existing support bracket, existing washer and new bolt. Torque the bolt to 24 ± 4 Nm (18 ± 3 fl-lb).

Note: The support bracket must be free to rotate after installation.



Reference	Part Number	Description
1	82292583	Spring
2	existing	Support
3	467433	Spacer Sleeve 9X14X60
4	983963	Spacer Sleeve 15X20X52
5	existing	Washer 8.4X22X2
6	965183	Flange Screw M8X90

7. Attach the new right hand spring (82292583) to the hood using the existing hardware. Torque the bolt to 24 ± 4 Nm (18 ± 3 fl-lb).
8. Attach the spring to the support bracket.
9. Close the hood.

Reimbursement

This Repair may be eligible for reimbursement if a product failure was experienced within the time and mileage limits of the applicable warranty coverage. Reimbursement is obtained via normal claim handling process.	
Claim Type (used only when uploading from the Dealer Bus. Sys.)	01
Labor Code	
Primary Labor Code	6223b-01-80 - 0.3 hrs.
Causal Part	25158019

Mack Trucks, Inc. engages in a continuous program of testing and evaluating to provide the best possible product. Mack Trucks, Inc., however, is not committed to, or liable for updating existing chassis.