

# Bruckner's

## TRUCK & EQUIPMENT



**TEXAS**  
MOTOR SPEEDWAY®

# TRUCK SHOWCASE RIDE & DRIVE

**AT THE TEXAS MOTOR SPEEDWAY**

EXPLORING A SHOWCASE OF TRUCKS INCLUDING  
THE ALL NEW VOLVO VNL AND MACK MDE

pg 6



**BE SURE TO CHECK OUT THIS  
ISSUE'S PARTS SPECIALS!**



TRUCK AND  
TRAILER SPECIALS  
pg 3

PREVENTATIVE  
MAINTENANCE  
pg 10

PARTS  
SPECIALS  
pg 11

BRUCKNER  
LEASING  
Back Cover



# Bruckner Finance

## **REASONS YOU SHOULD CONSIDER UTILIZING BRUCKNER'S FINANCE DEPARTMENT**

- ✓ Convenient "application only" credit process (for transactions up to \$1,500,000)
- ✓ Quick credit decisions, often times same day
- ✓ Minimal down payment including \$0 down and/or 72 month amortization loans available
- ✓ Token payment options available for seasonal operation
- ✓ FMV and TRAC Leases available
- ✓ Lines of credit for future equipment purchases available — keeping bank lines open for working capital needs
- ✓ Refinance options to assist with cash flow during economic down-turns
- ✓ Competitive rates, flexible terms
- ✓ Convenient "One Stop Shopping" with experienced, industry professionals



**SCAN QR CODE TO  
COMPLETE YOUR ONLINE  
APPLICATION TODAY!**

**Joe Brown**  
Corporate F&I Manager  
7626 Brighton RD  
Commerce City, CO 80022  
(303) 931-2857  
joe.brown@brucknertruck.com



# DAY CABS

# INVENTORY SPECIALS



**NEW 2025 MACK GRANITE**

MP8 455HP, mDrive HD 13 Spd with Roughneck RN50 Hydraulic winch, headache rack with tail/brake lights, locking chain rack/box, toolbox, two LED work lights, hydraulic cooler, possum belly, full bearinged 8-5/8" tail roller with stake pockets, custom DOT rear bumper with bump stops/ ramps, and 125'-7/8 cable/tail chain. Price includes FET.

**#65049**  
Enid, OK

**\$279,000**



**NEW 2025 VOLVO VNR300**

D11 425HP, I-Shift, Dynamic Steering, 12K/40K, Disc Brakes, 176" WB. Price includes FET.

**#65569**  
Wichita Falls, TX

**\$163,074**



**NEW 2025 VOLVO VHD**

D13 425 HP, I-Shift with 15' Frameless Warren Square Box Dump Body, Electric Tarp, 16.5K/40K on T-Ride Suspension. Three Position adjustable steering wheel and Leather steering wheel. Price includes FET.

**#66248**  
San Antonio, TX

**\$198,116**



**NEW 2023 HINO MOVING TRUCK**

Cummins 6.7L, 260hp, 6 spd Allison 2500 RDS Trans, 25,950 GVWR, Air-ride suspension, 26' Morgan Moving Van 109"x103" with swing doors at the rear and both sides, vertical e-track, putty & varnished floors & walls, Translucent Roof, 14ft Melcher ramp, 40"x20" tool box, 4ft pull-out platform at rear, diamond plate front radius.

**#59907**  
Albuquerque, NM

**\$119,420**



**NEW 2025 MACK ANTHEM**

MP8 415C (HP can be upgraded) mDrive , 12.5K/40K, 3.25 Gear Ratio. 191" WB with 93 gallon / 62 gallon fuel tanks. PTO-PTR-DM-Single RH DIN 5462. CARB+EPA. Multiple units in stock. Price includes FET.

**#67171**  
Lowell, AR

**\$159,300**



**NEW MACK MD7 SERVICE TRUCK**

Stellar TMAX2-11 Aluminum Mechanics Body by Curry Supply Co, American Eagle Compressor- 46CFM, Stellar 12621 Telescopic Crane- 12K Cap, Chassis is MD7 but has been derated at the factory to 25,995GVW (Non CDL). ISB6.7 300HP, Allison 3000 RDS 6 speed.

**#65180**  
Denver, CO

**\$222,279**



**USED 2020 VOLVO VNR DUMP TRUCK**

Quad Axle Dump Truck, D13 455HP, I-Shift, 20k front axle, 13.2k pushers, 46k rears on air ride, 3.58 ratio, Brandon 19' dump body with 54" sides, Tarp, 168,079 mi.

**#B0571P**  
Oklahoma City, OK

**\$159,900**



**USED 2019 VOLVO VNR**

D13 425HP, I-Shift, 12.5K/40K, Disc Brakes, Collision Mitigation, Adaptive Cruise Control, 239,684 miles.

**#B0910P**  
Hays, KS

**\$54,900**



**USED 2018 HINO FLATBED**

24' Flatbed featuring a J08E 230HP, Allison automatic transmission, spring suspension, drum brakes, and a 100-gallon fuel tank, cruise control, winches and straps for secure cargo handling, and a toolbox, 265,501 mi.

**#B0764P**  
Dallas I-20 TX

**\$34,900**



**NEW 2025 MACK ANTHEM 70" SLEEPER**

CARB+EPA. MP8 445HP, mDrive, Command Steer, Bendix Fusion 2.0 F&S Collision Avoidance, Infotainment w/ Navigation, Backup Camera, Leather Seats, Fridge, Inverter. Price includes FET.

#65172

Amarillo, TX

**\$186,900**



**NEW 2025 VOLVO VNL760**

D13TC 455HP, I-Torque I-Shift, 217" WB, Bunk Heater, Double Bunk, Fridge, Inverter, TV & M/W Prep Kits, Position Perfect Steering Wheel. Price includes FET.

#64715

Lubbock, TX

**\$181,225**



**NEW 2024 MACK ANTHEM 70" SLEEPER**

MP8 505HP, mDrive, 12K/40K, Diff Locks, 227" WB, Collision Avoidance System, Infotainment, Backup Camera, Inverter, Fridge, TV & M/W Prep Kits. Price includes FET.

#62474

Fort Worth, TX

**\$160,699**



**NEW 2025 VOLVO VNL860**

CARB+EPA. D13TC 455HP, 13-spd I-Shift, 13.2K/38K, air ride, 231" WB, VADA 2.0, Dual 150-gallon fuel tanks, 2.15 gear ratio, air suspension seats with massagers, TV and microwave prep, Volvo battery-powered parking cooler, cab heater, 1800W inverter, disc brakes, and double bunk. Price includes FET.

#65231

Dallas Irving Blvd, TX

**\$190,299**



**NEW 2025 MACK ANTHEM 70" SLEEPER**

MP8 445HP, mDrive HD, 13.2K/40K, Diff Locks, 227" WB, Bendix Fusion 2.0 F&S CAV, Fridge, Inverter. Price includes FET.

#65324

Shreveport, LA

**\$156,812**



**NEW 2025 VOLVO VNL740**

CARB + EPA. D13TC 455HP, I-Shift, 13.2K/40K, Disc Brakes, Leather Seats, Reclining Bunk, Bunk Heater, Fridge, Inverter, Battery-Powered Parking Cooler. Pricing includes FET.

#65491

Hays, KS

**\$189,900**



**USED 2018 PETERBILT 389**

X18 450HP, 18 Spd Auto Eaton Fuller, Full Lockers, 6 Wheel Disc Brakes, 265" WB, 13K/40K, Wet Kit, Single Bunk, 168,983mi.

#B0420P

Tulsa, OK

**\$149,950**



**USED 2021 FREIGHTLINER CAS 126**

SINGLE LINE WET KIT. DD13 470HP, DT12, 3.08 Ratio, 231" WB, 13.3K/40K, Full Lockers, Fixed 5th wheel (BLOCKED OPTION), Collision Mitigation, Dump Valve, 1/2 fenders, Fridge, 460,430 mi.

#B0608P

San Antonio I-10, TX

**\$54,990**



**USED 2022 MACK ANTHEM 70" SLEEPER**

MP8 445HP, mDrive, 12K/40K, Disc Brakes, 227" WB, Infotainment System, Double Bunk, Fridge, Inverter, Bunk Heater, Chains, 408,225mi.

#B0735P

Denver, CO

**\$67,500**



# TRAILERS NEW AND USED

## INVENTORY SPECIALS



**NEW 2023 TROUT RIVER LIVE BOTTOM ASPHALT TRAILER**

41' Insulated 30 CY Capacity water level, 34 Yards Heaped. 11R24.5 Tires on Outer Aluminum Wheels. 50" Axle Spacing Hendrickson Intraxx AA250 Air Ride, 11 gauge AR400 Walls, High Lift Air operated Tailgate. High Arc Electric Vinyl Tarp, 140,000lb rated chain with 4" Links and 8" Crossmember Spacing on the Easy to Change out easily with bolts. Single 50HP Hyd Motor turns the Planetary Chain Drive. Controls are easy to operate including the Drive Chain Oiling system. Price includes FET.

**#57340**  
Fort Worth, TX

**\$89,000**



**NEW 2023 TRAILBOSS TAG-A-LONG**

25 Ton Dovetail Tag-A-Long Trailer with Fold Down Spring Assist Ramps, 27' Deck with 5' Dovetail. Price includes FET.

**#60237**  
Van Buren, AR

**\$47,040**



**NEW 2024 CTS SCRAPMASTER**

40' x 100" Sides, 87 Cubic Yards, Barn Door w/ Ratchet & Chain, 6 Body Braces, 3/16 450 Hard-Ox, Hutch 50,000 lb. Single Point Suspension, Rear Aluminum Diamond Plate Fenders, 2 Speed Dolly Legs, Mountain Electric Tarp, 11R24.5 Tires, Steel Wheels, Price includes FET.

**#60381**  
Monroe, LA

**\$74,500**



**NEW 2024 FONTAINE FLATBED**

53' Fontaine "Infinity" Combo Deck Flatbed Trailer. 30" Kingpin Setting with California Legal Sliding Rear Axle to run Closed Tandem or Wide Spread. Hendrickson Axles and Air Ride Suspension with 295/75R22.5 Tires on 8 Aluminum Wheels. 24x24x60 Tool Box. 17 pair Chain Cargo Ties recessed in RASR side rails. 12 Sliding Winches. Empty weight of 10,940 lbs prior to Fast Trac Tarping system installed. Price includes FET.

**#60885**  
Shreveport, LA

**\$82,900**



**NEW 2024 FONTAINE SPECIALIZED MAG55**

55 Ton 22" Loaded Deck Height Self Contained Hydraulic Detach Lowboy. 7 Position easy to hook up and adjust. Specs include 26FT Free and Clear Flat Level Deck. Load Bearing Fender Covers, front flips ramps. 60" Spacing on the rear bogie with included 4th Axle. Outside Aluminum Wheels 23" Front Flip Box is also included. Air Lift 3rd Axle and Strobe Lamp Package that operates with the neck detached for safety. Price includes FET.

**#61948**  
Yakima, WA

**\$168,000**



**NEW 2024 HICKS SL3729 END DUMP**

37' Frameless aluminum end dump equipped with electric tailgate controls plumbed to front of trailer, Meritor tire inflation system, auto sensing lift axle, 10' 1/4" - 3/8" full floor liner, front and rear aluminum fenders and ladder on driver's side rear. Estimated weight of this trailer without a tarp +/- 9850 lbs. Trailer IS NOT equipped with a tarp. Price Includes FET.

**#63912**  
Dallas I20, TX

**\$70,200**



**NEW 2024 CTS BELLY DUMP**

40' Spring Ride, Mountain Electric Flip Tarp, Gate Seals, Aluminum Diamond Plate Fenders Front & Rear Fenders, 4-Way Wired for Gate Operation, Hand Valve D/S Rear for Manual Gate Operation, Deflector Shield, 10" Bang Boards, Extended Push Block, 60 Gallon Air Tank, Pin Type Drop Legs. Price includes FET.

**#63651**  
Hobbs, NM

**\$48,500**



**NEW 2024 TALBERT 55 TON PAVER TRAILER**

Base Mount Pony Motor, 42" Front Ramps, 20" Loaded Deck Height, 18 degree to rear w/ Bolt On Ramps, 26' Flat Level Deck, 24' w/Bolt On Ramps, Load Bearing Wheel Covers, 3rd Axle Lift, Outside Aluminum Wheels, Price Includes FET.

**#63915**  
Enid, OK

**\$122,500**



**USED 2022 JET SIDE DUMP**

40' Tandem Axle, 2-Way Valve, Fenders Front & Rear, New Electric Tarp, Front Axle Lift, All Aluminum Wheels, Tires & Brakes are 60%+, New Federal Inspection.

**#B0866P**  
Denver, CO

**\$54,800**

# TRUCK SHOWCASE RIDE & DRIVE



SCAN THE QR CODE FOR  
A VIDEO RECAP ON THIS  
EXCITING EVENT!



## TEXAS MOTOR SPEEDWAY – OCTOBER 29, 2024

Bruckner's Truck & Equipment brought the thrill of innovation and the spirit of camaraderie to the Texas Motor Speedway last fall with its highly anticipated Equipment Showcase Ride & Drive event. Customers, vendors, and industry leaders gathered for a day filled with cutting-edge technology, hands-on experiences, and high-octane excitement.

### AN UNFORGETTABLE EXPERIENCE

The event, hosted on the iconic speedway, provided an unparalleled opportunity for attendees to explore and test the latest offerings from Volvo Trucks, Mack Trucks, Bruckner's Truck & Equipment and BTE Body Company. Guests had the unique chance to get behind the wheel of the all-new Volvo VNL and the Mack MD Electric medium-duty trucks on a closed track.

Brian Bruckner, President Bruckner's Truck & Equipment, expressed his enthusiasm: "What a perfect day at Texas Motor Speedway. This event allowed us to showcase groundbreaking advancements in technology, safety, and driver comfort. No other brand can match what we're offering with these new products. It was a great opportunity for our customers to get behind the wheel of the All-New Volvo VNL and Mack MDe medium duty electric with no CDL required on the closed track. Also, a big thank you to multiple vendors and factory representatives that were on hand to help with product education and demonstration."

**"This event allowed us to showcase groundbreaking advancements in technology, safety, and driver comfort. No other brand can match what we're offering with these new products."**

**Brian Bruckner**

President Bruckner's Truck & Equipment





## PRODUCT SHOWCASES AND DEMONSTRATIONS

Pit Row came alive with vendor booths and product displays, offering guests the chance to engage directly with factory representatives and industry experts. The infield became a dynamic playground as attendees tested vehicles while NASCAR cars roared around the track. “It’s a total motorhead event,” Brian Bruckner remarked, capturing the essence of the day.

Scott Hall, Bruckner’s Truck & Equipment Fort Worth General Manager, highlighted the strong turnout: “We had wonderful customer attendance and vendor participation. We’re especially excited about the all-new Volvo VNL, and it was fantastic to share that excitement with our guests.”

## A LEAP FORWARD IN INNOVATION

Scott Parten Vice President-Southwest, Volvo Trucks North America, noted the overwhelmingly positive feedback: “People drove the trucks, stepped out, and shared what they loved. It’s been a fantastic way to show how these trucks can enhance businesses.”

Jennifer Walker, Mack Trucks Regional Sales Manager – Medium Duty West & Southwest Regions, emphasized the importance of introducing the medium-duty electric truck to Texas. “This event was incredible for Mack Trucks. Many attendees experienced an electric truck for the first time, and we’re thrilled to lead that introduction,” she said.

Kent Thompson, Regional Vice President, SW Region, Mack Trucks, echoed this sentiment: “The Bruckner’s team excelled with this event. It’s always rewarding to connect with the customers who drive this industry forward.”

## BUILDING RELATIONSHIPS, STRENGTHENING PARTNERSHIPS

Beyond the technology and product showcases, the event underscored the importance of relationships. Don Freeman, Regional Vice President Bruckner’s Truck & Equipment, explained: “This event is about relationships. It’s about spending time with our customers, discussing their needs, and connecting them with suppliers. That’s the greatest value we can offer.”

**“This event was incredible for Mack Trucks. Many attendees experienced an electric truck for the first time, and we’re thrilled to lead that introduction!”**

**Jennifer Walker**

Mack Trucks Regional Sales Manager  
Medium Duty West & Southwest Regions





Chris Bruckner, Vice President Bruckner's Truck & Equipment, reflected on the success of the event: "It was a great platform to highlight our new products, parts capabilities, and equipment offerings."

### LOOKING AHEAD

Concluding the day's festivities, Brian Bruckner shared his thoughts on the industry's future: "I've been in this business for over 30 years, and I believe we'll see more change in the next 3-5 years than in the previous three decades. It's an exciting time for new products and new relationships."

Bruckner's Equipment Showcase Ride & Drive at Texas Motor Speedway was more than just an event—it was a celebration of innovation, collaboration, and the shared passion that drives the trucking industry forward.

***THANK YOU TO ALL CUSTOMERS,  
VENDORS, AND PARTICIPANTS FOR  
MAKING IT AN UNFORGETTABLE DAY!***







## MACK'S HEAVY-DUTY TOUGHNESS IN A MEDIUM-DUTY TRUCK

Dependability, durability and steadfast support—Everything you've come to expect from Mack is now available in a Medium-Duty Truck.

Speak to your Bruckner Representative for more information.

**Bruckner's**  
TRUCK & EQUIPMENT



# POWER ON.



Call Bruckner's of Albuquerque at (505) 843-7703 for more information

2025 HINO L7  
Stk # 65505

The Hino Trucks' conventional models have been the fastest growing medium duty trucks for years. It started with great aerodynamics, functionality, durability, and has continued to develop their telematics services, Hino Edge, which is among the best telematic service in the industry. The Hino Trucks L Series sports an automotive grade interior, a host of new advanced safety equipment, and larger cab configurations for more versatility than ever before. Available in day, extended, and crew cab configurations Hino Trucks L Series trucks are ideal for applications ranging from 23,000 to 33,000 lbs. GVWR. - POWER ON.



**BTE OF IRVING**

800.634.5619  
1601 E. State Hwy 356  
Irving, TX 75060

**BTE OF PHOENIX**

602.278.9227  
2650 N. 32nd Ave  
Phoenix, AZ 85009

btebody.com



## 2024 Mack MD7

*Including  
mounted  
Pac-Mac  
KB-20 Grapple*

6 Units Available!

# \$223,482

PARTS | SERVICE | EQUIPMENT SALES





# PREVENTATIVE MAINTENANCE

STOP BY AND SEE FACTORY-TRAINED PARTS AND  
SERVICE STAFF ON OUR SERVICE PM SPECIALS.



SMALL CHANGES TODAY TO PREVENT BIG PROBLEMS TOMORROW

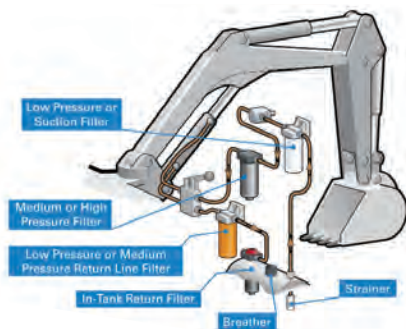
**Bruckner's**  
TRUCK &  
EQUIPMENT



# FILTRATION SOLUTIONS

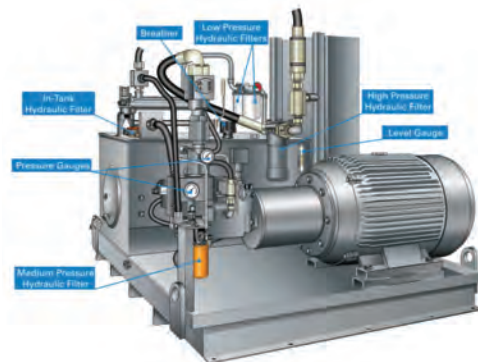


## HYDRAULIC FILTRATION SOLUTIONS



### The Best Solutions for Clean, Dry Oil

Donaldson hydraulic filters and accessories reduce a broad range of contaminants to keep sophisticated equipment running smoothly, resulting in efficient systems with superior performance – in the factory and on heavy-duty mobile equipment.



### Comprehensive Product Line

Donaldson has proven performance in thousands of applications – offering the industry's largest selection of replacement hydraulic, lube and gear oil filtration products for contamination control.

## PERFORMANCE UNDER ANY PRESSURE



### Low Pressure

Low pressure filters are the most commonly used type of filter in hydraulic circuits, used most often in return line applications.



### Medium Pressure

Medium pressure filters can be used in applications up to 2000 psi (13790 kPa). Donaldson offers both spin-on and in-line cartridge-style filters.



### High Pressure

High pressure filters are positioned between pumps and critical components such as cylinders, motors and valves. They help protect these critical components from catastrophic failure.

**FINDING YOUR DONALDSON FILTER ONLINE HAS NEVER BEEN EASIER.**



**Go online to discover which filter you need.**



*\*Images above may not necessarily depict the exact part number*

# EVERYDAY SAVINGS



## COMMAND EXTENDED NITRITE FREE

4771-AFC13100F  
RED-50/50 | Gallon

Single Case  
**\$7.75 \$7.46**



## COMMAND EXTENDED

4771-AFC11100F  
RED-50/50 | Gallon

Single Case  
**\$8.43 \$8.12**



## WINDSHIELD WASHER FLUID

4771-AS658  
Delux 3-in-1  
6 per case

Single  
**\$4.88**

## DELCO STARTER MOTOR

8200433 – 39MT

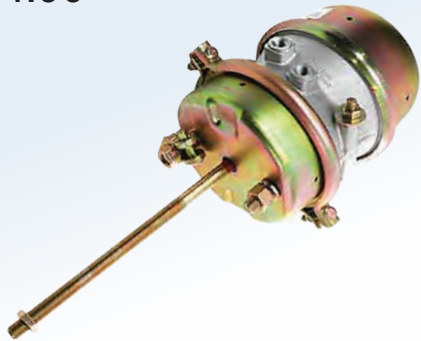
**\$345.00**



## STANDARD BRAKE CHAMBER

S-16987 3030

**\$44.00**



## Legacy SILVER

188900 MW61

HB BLACK DURALEASETH<sup>TM</sup>

**\$784.42**

## Heritage SILVER

189800 FA635

HB 20" 15D 2W  
GRAY TUFFTEX

**\$544.48**



188900

## BATTERIES FOR ALL MAKES AND MODELS

MVL31X

CCA 925

**\$90.97**

M311000

CCA 1000

**\$99.97**

V31HC730

Dual Cycle Battery

**\$111.21**



Prices good through Feb 28 2025  
with good core exchange.

*\*Images above may not necessarily depict the exact part number*





# EVERYDAY SAVINGS



## NON CHLORINATED BRAKE CLEANER

Low VOC formula

Quickly and effectively dissolves and removes grease, oil, brake fluid, and other contaminants.

Superior cleaning power extends beyond brakes. Cleans and degreases brakes.

Help stop brake squeaking and can improve braking performance.

Leaves no residue.

45% VOC

**\$3.50** Per can    **\$2.99** Per can 12 or more



## MYSTIK® JT-6® HIGH TEMP #2 GREASE

Mystik JT-6 High Temp Grease #2 is a high-temperature, lithium-complex grease that combines excellent multi-purpose properties with a high dropping point and low-temperature pumpability that provides a wide operating temperature range. This product provides superior protection in heavily-loaded industrial, mining and construction applications.

**\$4.25** each in case qty or    **\$4.99** each



## AMMEX GLOVE WORKS

Industrial grade. Multiple colors. Powder free. Raised diamond texture. Chlorinated. Latex free.

Orange **\$19.87** 8 mil XL, Lrg, Med, SM

Blue **\$19.87** 6 mil XL, Lrg, Med, SM

Green **\$14.99** 8 mil XL, Lrg, Med, SM

Black **\$12.00** 5 mil XL, Lrg, Med, SM

*\*Images above may not necessarily depict the exact part number*



# TRUSTED VENDOR



## HIGHEST QUALITY PARTS AT BETTER PRICES

Torque Parts LLC was established in 2012 to provide the heavy-duty aftermarket with a powerful alternative for truck parts, focused on quality, fast shipment, and excellent customer service. Their commitment to providing the best quality products at competitive prices has enabled them to become a leading manufacturer and distributor of truck parts in the industry.

### TORQUE 3 IN 1

TR813215

**\$126.00**

High Quality 15' 3-IN-1 Wrap ABS Cord and Air Hoses  
 The wrap includes 7 way electrical trailer cord and 2 air hoses with gladhand handle grips  
 Spiral wrapped for a clean organized look  
 Outstanding kink and abrasion resistance  
 Includes hanging clamp for easy installation  
 Large grips for easy coupling/uncoupling and hose support



### TORQUE WHEEL SEALS

Part#	Price	Replaces
TR0173	<b>\$22.00</b>	STM 393-0173, National 5481, 370003A, 370034A, 370086A, 380003A, 6872S, 9015S, REV R1-D02, RM-D02, R1D02, RMD02
TR0136	<b>\$19.33</b>	STM 383-0136, National 380001A, 6638S, 9339S, 370001A, REV R1-S01, RM-S01, R1S01, RMS01
TR0123	<b>\$22.00</b>	STM 373-0123, REV R1-T04, RM-T04, R1T04, RMT04
TR0143	<b>\$20.00</b>	STM 373-0143, REV R1-T03, RM-T03, R1T03, RMT03



### TORQUE HEAVY DUTY AIR SPRINGS

Part#	Price	Replaces
TR9780	<b>\$66.00</b>	W01-358-9780, 1R12-1072, AS9780
TR8829	<b>\$72.67</b>	W01-358-8829, 1R12-405, 1R12-615
TR8864	<b>\$86.67</b>	W01-703-8863, 1R12-1097
TR9781	<b>\$70.00</b>	W01-358-9781, AS9781, 1R12-1082
TR8709	<b>\$79.33</b>	W01-358-8709, 1R13-262, C-21800



*\*Images above may not necessarily depict the exact part number*



# ALL MAKES DIAGNOSTICS

**jaltest**  
BY COJALI

## INTUITIVE AND EASY TO USE

The all-makes and all-systems diagnostics tool Jaltest Diagnostics has been designed developed to carry out the most advanced tasks of diagnostics and vehicle maintenance, in a simple intuitive way. It provides coverage for commercial vehicles, trucks, buses, trailers and light vehicles, as well as for agricultural equipment, OHW equipment, material handling equipment and vessels.

More than 25,000 repair shops around the world already have Jaltest Diagnostics. Find out all its advantages. Please speak with your Bruckner Representative for more information.



[www.jaltest.com/en/diagnostics](http://www.jaltest.com/en/diagnostics)

### ALL-MAKES DIAGNOSTICS

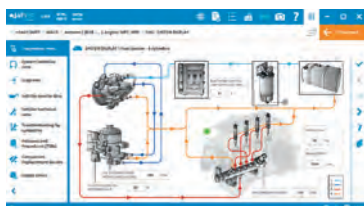
- Heavy, Medium and Light duty diagnostics.
- Automatic detection of systems and error codes.
- Real-time live data monitoring.
- Actuators and calibrations of components.
- Parameterizations.
- Operating time and consumption of the vehicle.
- Component adaptation and calibration.

### TECHNICAL INFORMATION

- System technical data, (engine, transmission, brakes...).
- Interactive wiring diagrams.
- Technical bulletins.
- Repair guides: Troubleshooting by symptoms and codes.
- Maintenance data.
- Vehicle technical data (engine type...).

### JALTEST GRP: SHOP MANAGEMENT SOLUTIONS

- Database synchronization between different devices, within the same shop, with data backups on external servers.
- Shop task management.
- Diagnostics, maintenance and task management and reporting.
- Customization of new brands and vehicle models.
- Access to the history of the vehicle.

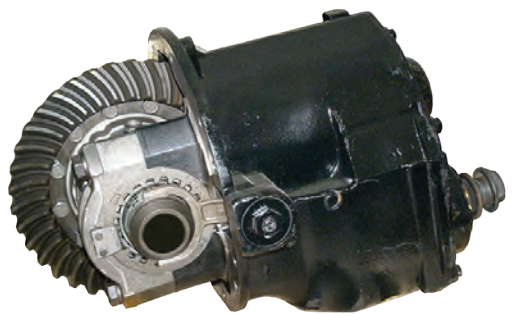
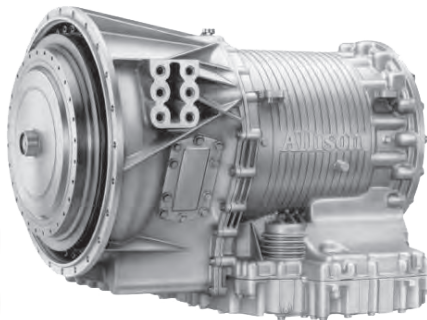


# USED TRUCK PARTS



## EXTENSIVE SUPPORT FOR ALL YOUR TRUCKS!

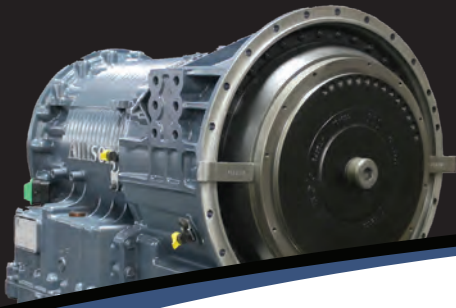
New, Used, Remanufactured, Reconditioned, Recycled



**ENGINES | TRANSMISSIONS  
DIFFERENTIALS | HOODS | CABS**

**ALL MAKES RECYCLED PARTS**  
*AVAILABLE AT BRUCKNER'S*





# VALLEY TRUCK PARTS

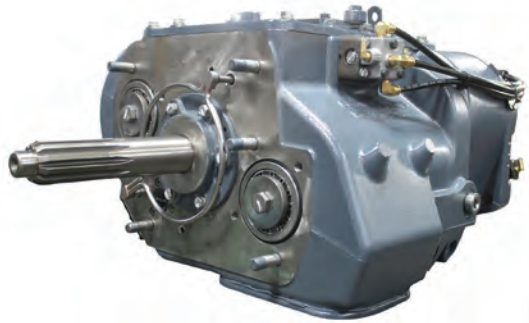


## AVAILABILITY. QUALITY. SERVICE.

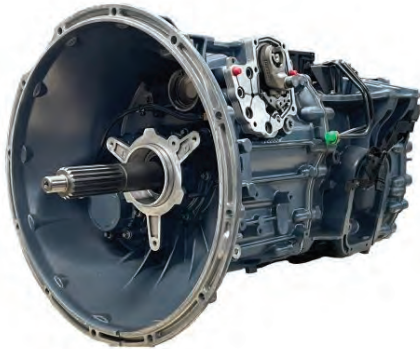
Remanufactured and new truck parts to get you back on the road.  
Family-owned and operated in Michigan for 65+ years.



Allison Transmissions



Manual Transmissions



Automated Manual  
Transmissions



Differentials

[www.valleytruckparts.com](http://www.valleytruckparts.com)



Diamond "Guarantee" – Nationwide Warranty  
Labor Paid  
Towing Paid (Limited to \$500)





# WEBB ULTRA SET



## Webb UltraSet Pre-Adjusted Hub Assembly

### Installation Instructions

Follow the installation procedure to experience the faster and more secure Webb UltraSet pre-adjusted hub assembly. With Webb UltraSet there is no need to purchase, install and adjust separate wheel-end components and fasteners.

#### Tools Required for Installation

- Calibrated torque wrench capable of 250 ft/lbs
- Sockets for all applications
- Towel and/or emery cloth to clean spindle
- Cleaning solvent or brake cleaner



#### Step 1

Clean the spindle and remove all burrs. Also ensure that the wheel seal journal is clean.

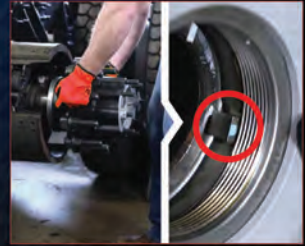


#### Step 2

Apply a light coating of lubricant to the spindle surfaces.



**NOTE:** The Webb UltraSet seal includes patented technology, eliminating the requirement for seal ID pre-lubrication.



#### Step 3

Align the assembly with the keyway and slide the Webb UltraSet hub onto the spindle, taking precaution NOT to bump or damage the wheel seal.



#### Step 4

Rotate the Webb UltraSet hub clockwise to engage the axle fastener and continue rotating manually until it stops.



#### Step 5

Unscrew and remove the Plastic axle fastener retainer and discard.



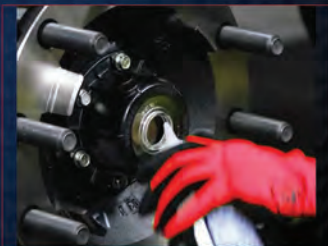
#### Step 6

Use a torque wrench to tighten the nut to **200-250 ft/lbs**. Rotate the hub one full rotation. Repeat this procedure two more times. Torque spec is the same for steer, drive and trailer applications.



#### Step 7

Install the hub cap per the manufacturer's recommendation.



#### Step 8

Add lubricant to the hub per the manufacturer's recommendation.

#### SUMP OIL CAPACITIES BY APPLICATION

FF 5.44	FF 5.06	FL	R	P	N
15.5 oz	15 oz	20 oz	32 oz	34 oz	19.7 oz

**NOTE:** The volumes listed above are suggested amounts to fill the hub cavity to hub cap "full" line (where applicable). The actual volume used should be verified and adjusted for components used.



#### Step 9

If removed, re-torque the hub's fill plug to 25-30 ft-lbs. Torque the hubcap fill plug to the manufacturer's recommendation. If needed, re-install the hub cap plug.



Scan this QR code to learn more about Webb Hubs



[www.webbwheel.com](http://www.webbwheel.com)

A Marmon | Berkshire Hathaway Company

**WebbTECH**  
Scan this QR code to begin  
WebbTech training







SCAN FOR  
FULL LOCATION  
LISTINGS



# DEDICATED TO YOUR UPTIME

## MULTIPLE LOCATIONS ACROSS 8 STATES

### TEXAS

#### **AMARILLO**

(866) 348-MACK  
9471 I-40 East Exit #76  
Amarillo, TX 79118

#### **BRIDGEPORT\***

*(PARTS ONLY LOCATION)*

(877) 729-MACK  
401B 13th Street  
Bridgeport, TX 76426

#### **CLEBURNE\***

*(PARTS ONLY LOCATION)*

(866) 411-MACK  
1744 N. Main St., Suite A  
Cleburne, TX 76031

#### **DALLAS (Irving Blvd.)**

(877) 999-8092  
3611 Irving Boulevard  
Dallas, TX 75247

#### **DALLAS (I-20)**

(877) 999-8078  
35680 LBJ Freeway  
Dallas, TX 75241

#### **FORT WORTH**

(866) 350-MACK  
1200 N.E. Loop 820  
Fort Worth, TX 76106

#### **LUBBOCK**

(866) 358-MACK  
1125 E. Slaton Highway  
Lubbock, TX 79404

#### **ODESSA**

(866) 359-MACK  
2441 East I-20  
Odessa, TX 79766

#### **SAN ANGELO**

(877) 861-2388  
829 North Bell St.  
San Angelo, TX 76903

#### **SAN ANTONIO (I-10)**

(210) 661-4121  
4562 IH10 East  
San Antonio, TX 78219

#### **SAN ANTONIO (I-35)**

(210) 646-6225  
11215 N. Weidner Rd.  
San Antonio, TX 78233

#### **TYE (ABILENE)**

(866) 341-MACK  
1002 S. Access Rd.  
(Exit 278 I-20)  
Tye, TX 79563

#### **WICHITA FALLS**

(866) 369-MACK  
4520 N. W. Freeway  
Wichita Falls, TX 76306

### KANSAS

#### **GARDEN CITY\***

*(PARTS & SERVICE LOCATION)*

(877) 999-1449  
3795 Solar Ave.  
Garden City, KS 67846

#### **HAYS**

(888) 629-MACK  
2101 Commerce Parkway  
Hays, KS 67601

#### **SALINA**

(785) 714-4159  
1645 Copper Court  
Salina, KS 67401

#### **WICHITA**

(877) 246-1671  
4343 South West Street  
Wichita, KS 67217

### NEW MEXICO

#### **ALBUQUERQUE**

(866) 370-MACK  
8101 Daytona Rd. NW  
Albuquerque, NM 87121

#### **FARMINGTON**

(866) 349-MACK  
4050 Bloomfield Hwy  
Farmington, NM 87401

#### **HOBBS**

(866) 351-MACK  
2121 NW County Rd  
Hobbs, NM 88240

### OKLAHOMA

#### **ARDMORE\***

*(PARTS AND MOBILE SERVICE*

*LOCATION ONLY)*

(888) 999-9316  
3312 Prairie Valley Rd.  
Ardmore, OK 73401

#### **BIG CABIN**

(918) 783-5159  
32046 S Hwy 69  
Big Cabin, OK 74332

#### **ENID**

(800) 375-6225  
5913 E. Owen K. Garriott Rd.  
Enid, OK 73701

#### **OKLAHOMA CITY**

(866) 360-MACK  
10120 West Reno Avenue  
Oklahoma City, OK 73127

#### **TULSA**

(877) 493-6025  
5301 W. 60th  
Tulsa, OK 74107

### COLORADO

#### **DENVER (COMMERCE CITY)**

(866) 310-6225  
7626 Brighton Road  
Commerce City, CO 80022

#### **FOUNTAIN**

(877) 589-6256  
6145 Champlin Drive  
Fountain, CO 80817

#### **GREELEY\***

*(PARTS ONLY LOCATION)*

(877) 455-3494  
600 26th St.  
Garden City, CO 80631

### LOUISIANA

#### **BALL**

*(TRAILER REPAIR SHOP)*

(318) 641-0290  
4303 Pardue Rd,  
Ball, LA 71405

#### **PINEVILLE**

(318) 640-2098  
4170 Pardue Rd  
Pineville, LA 71360

#### **MONROE**

(877) 801-2982  
6500 Frontage Rd.  
Monroe, LA 71202

#### **SHREVEPORT**

(877) 369-0906  
7600 Greenwood Road  
Shreveport, LA 71119

### ARKANSAS

#### **LOWELL**

(479) 770-6040  
324 S. Bloomington St.  
Lowell, AR 72745

#### **POTTSVILLE**

(479) 498-8260  
620 Mountain Base Rd.  
Pottsville, AR 72858

#### **VAN BUREN**

(479) 782-8281  
209 Rena Rd.  
Van Buren, AR 72956

### WASHINGTON

#### **ELLENSBURG**

(509) 962-8881  
1711 US Highway 97  
Ellensburg, WA 98926

#### **WENATCHEE**

(509) 665-8383  
1231 S. Wenatchee Ave.  
Wenatchee, WA 98801

#### **YAKIMA**

(509) 575-8888  
2003 E Viola Ave,  
Yakima, WA 98901

9471 I-40 East Exit #76  
Amarillo, TX 79118

Change Service Requested



# Bruckner Leasing

Contact the Bruckner Leasing Professional nearest you and learn first-hand the benefits Bruckner Leasing offers and how our leasing and rental options can improve your bottom line.

## FULL SERVICE LEASING

Comprehensive program with benefits that allow you to focus on your business - while we handle the trucks.

## COMMERCIAL RENTALS

From medium duty trucks to tractors, we can help you keep your business running smoothly.

## CONTRACT MAINTENANCE

Whether you have old or newer equipment, we have offerings ranging from Preventative Maintenance to Complete Fleet Service Solutions.



SCAN FOR MORE INFORMATION

